



MARIANO MARCOS STATE UNIVERSITY

Bids and Awards Committee

INVITATION TO MAKE AN OFFER: Negotiated Procurement

2022-030

THE PROJECT: Refurbishment of Faculty Lounge and Guidance Counselor Office

Project Location – MMSU CAFSD, City of Batac

Number of Working Days: 45 calendar days

ABC: P199,593.52

1. The Mariano Marcos State University (MMSU), with offices at Quiling Sur, City of Batac, Ilocos Norte, invites the public to make an offer to furnish all labor, materials, tools and equipment necessary and proper for the implementation of the above Project as per approved designs, plans and drawings.
2. This process is in accordance with Section 53 of R.A. 9184, the Government Procurement reform Act and Section 53.9 of the Implementing Rules and Regulations where interested and qualified contractors are to submit proposals.
4. The offer must be in writing submitted at the address below not later than 5 days together with the following documents:
 - a) The amount of the offer in writing duly signed by the person making the offer, indicated in numbers and figures.
 - b) The particulars of the offer as to labor, materials, tools, equipment and other work details.
 - c) Documents in support of the legal, technical and financial capability of the person making the offer, which documents shall be confirmed and verified (3 copies).
5. It is understood that any offer may be accepted or rejected, or the process invalidated, at any time prior to contract award, without liability to anyone.
6. Documents for this procurement may be secured from the MMSU BAC Secretariat at the address below or downloaded from the MMSU website or from the Philippine Government Electronic Procurement System (PhilGEPS) website.
7. For questions and inquiries, please write or email the University President, thru the BAC Chair, at the address indicated below.

Mariano Marcos State University
Quiling Sur, City of Batac
www.mmsu.edu.ph

November 7, 2022

NATHANIEL R. ALIBUYOG
BAC CHAIR

Received: _____ Received: _____ Received: _____

Rm105 FEM Hall, MMSU, #16S Quiling Sur, City of Batac, Ilocos Norte
✉ bac@mmsu.edu.ph ☎ (077) 600-0459 www.mmsu.edu.ph



STARS™
RATING SYSTEM



PROJECT INFORMATION DOCUMENT

Project Title : Refurbishment of Faculty Lounge and Guidance Counselor Office
Project Location : MMSU CAFSD, City of Batac, Ilocos Norte

GENERAL INSTRUCTIONS

The project calls for the furnishing of all materials, labor, tools and equipment needed for the refurbishment of faculty lounge and guidance counselor office. The said project shall be done in strict conformity with the designs, plans, drawings and other details, as well as the specifications, this Project Information Document and other related contract documents prepared and approved for this project. It is highly recommended that the contractor conduct site inspection for them to have an idea on the existing condition of the site.

It also calls for the employment of manpower with the appropriate skills and expertise to undertake the specific items of work and to enable the contractor to produce and deliver to the satisfaction of the owner the needed services and output required of this undertaking. The contractor shall provide competent project-in-charge (architect/civil engineer) and shall have adequate and readily available construction equipment to be utilized during the construction activities.

The contractor shall ensure that the construction activities must not interfere, obstruct and disturb any on-going operation of the building and other facilities; hence, the contractor shall isolate the working area from the other portions of the building. In addition, the contractor shall be required to provide its own water and power supply system needed in the proper execution of the various works for the duration of the contract.

- I. DEMOLITION WORKS** – This works includes the removal of existing ceiling system and drywall. It is strictly advised that no demolition works shall be done without the presence of Project-in-Charge from PPDO or any representative from the Supply Office of MMSU. The Contractor shall handle with utmost care to avoid damages and malfunctioning for salvaged material.
- II. CEILING WORKS** – This scope of work includes the installation of 4.5mm thick fiber cement board in a metal frame system as indicated in the approved plans of the project. The Contractor must submit samples of each needed materials as to specifications to PPDO Project-in-Charge for approval before purchase and fabrication.
- III. DRYWALL PARTITION WORKS** – This scope of work includes the installation of 4.5mm thick fiber cement board in an existing wall wood frame as indicated in the approved plans of the project. The Contractor must submit samples of each needed materials as to specifications to PPDO Project-in-Charge for approval before purchase and fabrication.
- IV. PAINTING WORKS**. This scope of works includes painting of all ceiling boards and other surfaces with four (4) coats of paints following the approved brand and quality of painting materials specified in the Program of Work and other related contract documents.
- V. COUNTER WORKS** - This scope of works includes fabrication and installation of cabinet, counter top sink with materials as indicated in the approved plans of the project. The Contractor shall strictly conform to the plans and specifications of the project. Contractor shall submit samples of each material included in the specifications for the approval of the end-user.
- VI. PLUMBING WORKS** This item shall consist of furnishing and installation of all materials and fixtures as shown in the plans and providing of all required tools and equipment for the satisfactory operation of the entire plumbing and sanitary system all of which shall be in accordance with the latest edition of the National Plumbing Code and specifications.

A. MATERIAL REQUIREMENTS

PROJECT INFORMATION DOCUMENT

Project Title : Refurbishment of Faculty Lounge and Guidance Counselor Office

Project Location : MMSU CAFSD, City of Batac, Ilocos Norte

All piping materials, fixtures and appliances fitting accessories whether specifically mentioned or not but necessary to complete this item shall be furnished and installed. Pipes shall be of quality made by reputable manufacturers free from defects, and shall be true, smooth and cylindrical. Pipes and fittings for Sanitary lines shall be unplasticized Polyvinyl Chloride Series 1000. Pipes and fittings for Water lines shall be Blue Pipe.

B. PLUMBING INSTALLATION

Soil Pipe- All soil and drainage pipe shall be sloped at 2% or 2cm per 1.0 meter run but in no case flatter than 1%. All changes in pipe sizes such as soil and waste lines shall be made with reducing fittings or recessed reducers. All changes in direction shall be made by appropriate use of 45 degrees fittings for soil and waste lines. All pipes shall be cut accurately to measurements and shall be worked into place without springing or forcing. All joints shall be neatly applied with marine epoxy to avoid leakage in sewer line pipes. Upon completion, thoroughly clean all fixtures and accessories to leave the work in a polished condition. The whole system, including all installed fixtures shall be tested for leaks and proper functioning.

Supplementary Provisions

All other items or scope of works not mentioned in this document but show/or indicated in the plans, drawings and specifications, except where it is specifically mentioned as “to be provided by others” the contractor shall likewise furnish all materials, labor and equipment necessary to complete the work.

In case of conflicts that will arise among the specifications and quality of materials, installation procedure and in the plans and drawings as well as in the other contract documents before and during the implementation stage, the same should be referred to the end-user and PPDO Project-in-Charge in proper resolution of the said conflicts.

After all the works have been completed, the surrounding immediate areas affected in the execution of the project shall be cleaned and cleared of all excess materials and debris, temporary structures, facilities and utilities used during the construction period.

- A. Time is a very important factor in the implementation of this project and as such, all works indicated in the plans, specifications and in this document shall be fully completed within **45 calendar days** from receipt of the Notice to Proceed.
- B. Before final acceptance by the end-user, the Contractor shall post a warranty security in accordance with the following schedule as prescribe in Section 62.2.3.3 of RA 9184 to cover warranty against structural defects to cover the following periods as follows in accordance with Section 62.2.3.2
 - a. Permanent Structures (15 years)
 - b. Semi-Permanent Structures (5 years)
 - c. Other Structures (2 years)

PROJECT INFORMATION DOCUMENT

Project Title : Refurbishment of Faculty Lounge and Guidance Counselor Office
Project Location : MMSU CAFSD, City of Batac, Ilocos Norte

Form of Warranty Security	Amount of Warranty Security (Equal to percentage of the Total Contract Price)
a) Cash or Letter of Credit issued by a Universal or Commercial Bank: Provided, however, that the LC shall be confirmed or authenticated by a Universal or Commercial Bank, if issued by a foreign bank.	Five percent (5%)
b) Bank guarantee confirmed by a Universal or Commercial Bank.	Ten percent (10%)
c) Surety bond callable upon demand issue by GSIS or a surety or insurance company duly certified by the Insurance Commission as authorized to issue such security.	Thirty percent (30%)

C. The Approved Budget for the Project to be bid is **One Hundred Ninety Nine Thousand Five Hundred Ninety Three Pesos and 52/100 Only (Php. 199,593.52)**

Prepared by:

JEREMIAH ROGÉR P. CALUYA
Civil Engineer

FRANZ ELYN T. PAJINAG
Civil Engineer/Master Plumber

Checked by:


AIDA V. CABANG
Chief, Physical Planning Section

Noted by:


ROMEO R. DULDULAO
Director, PPDO

Republic of the Philippines
 MARIANO MARCOS STATE UNIVERSITY
 PHYSICAL PLANNING AND DEVELOPMENT OFFICE
 City of Batac, 2906, Ilocos Norte

Refurbishment of Faculty Lounge and Guidance Counselor Office
 MMSU CAFSD, City of Batac, Ilocos Norte

SPECIFICATIONS	
Building Part / Material	Specifications
ARCHITECTURAL	
FINISHES	(show sample of material for approval by the end-user)
Ceiling	4.5mm Fiber Cement Board
DRYWALL PARTITION	4.5mm Fiber Cement Board
COUNTER WORKS	(show sample of material for approval by the end-user)
Cabinet	³ / ₄ " Laminated Marine Plywood
Counter Top	600mm x 600mm Granite Tiles
PAINTING	(show sample of material for approval by the end-user)
Fiber Cement Board Painting	2 Coats Primer, 2 top coats (Color, specifications must be approved by end-user)
PLUMBING WORKS	(show sample of material for approval by the end-user)
Kitchen Sink	Stainless Steel Sink with Faucet and complete accessories
Water Line Pipes and Fittings	Blue pipe (Neltex or approved-equal)
Sewer Line Pipes and Fittings	S1000, uPVC, orange (Neltex, Emerald, Atlanta or approved-equal)

Republic of the Philippines
MARIANO MARCOS STATE UNIVERSITY
PHYSICAL PLANNING AND DEVELOPMENT OFFICE
 City of Batac, 2906, Ilocos Norte

Refurbishment of Faculty Lounge and Guidance Counselor Office
 (MMSU CAFSD, City of Batac, Ilocos Norte)

BILL OF QUANTITIES		
Item No.	Description	Unit
I	Demolition Works	
		1.00 lot
II	Ceiling Works	
		65.41213 sq.m.
III	Drywall Partition	
		74.74348821 sq.m.
IV	Painting Works	
	Drywall Partition Painting	140.1556182 sq.m.
	Ceiling Partition	74.74348821 sq.m.
		65.41213 sq.m.
V	Counter Works	
		1.00 lot
	Tile Works	
		2.9925 sq.m.
	Formworks	
		2.394 sq.m.
	Reinforced Concrete Works	
		0.2394 cu.m.
	Masonry Works	
		1.80 sq.m.
	Plastering Works	
		2.70 sq.m.
	Cabinet	
		10.772 sq.m.
VI	Plumbing Works	
		1.00 lot
	Plumbing Fixtures and accessories	
	Stainless Kitchen Sink with Faucet and complete accessories	1.00 set
	Waterline Pipes and Fittings	
	½" dia. PVC Blue Pipe	1.00 pcs
	½" dia. PVC Blue Elbow	4.00 pcs
	½" dia. PVC Blue Female Adapter	2.00 pcs
	½" dia. PVC Union Patente	1.00 pcs
	1/2" x 1/2", Angle Valve	1.00 pcs
	1/2" x 1/2", Flexible hose	1.00 pcs
	Teflon Tape, 1"	3.00 rolls
	Solvent Cement, 100cc	1.00 can
	Sewer Line	
	Stainless P-Trap 1 ½" (for lavatory)	1.00 pc
	2" dia. PVC Pipe S1000	1.00 pc
	2" dia. PVC Elbow	2.00 pcs

Republic of the Philippines
MARIANO MARCOS STATE UNIVERSITY
 City of Batac, 2906, Ilocos Norte

DETAILED ESTIMATES

ITEM NUMBER	Demolition Works	QUANTITY	UNIT	UNIT PRICE	1.00 lot Total Price
DESCRIPTION	DESCRIPTION				
MATERIALS COST					
	Total Materials Cost			Sub-Total: Unit Cost:	-
EQUIPMENT COST					
	DESCRIPTION	QUANTITY	DAYS	RATE	Total Price
LABOR COST					
	DESCRIPTION	QUANTITY	DAYS	RATE	Total Price
	Construction Foreman		days		-
	Skilled Laborer		days		-
	Unskilled Laborer		days		-
				Sub-Total: Unit Cost:	-
				Sub-Total: Unit Cost:	-

DIRECT COST:
UNIT COST:

Plus Indirect Cost:

OCM
 CP
 VAT

INDIRECT COST:
INDIRECT UNIT COST:

Total Direct and Indirect Cost:

Republic of the Philippines
MARIANO MARCOS STATE UNIVERSITY
 City of Batac, 2906, Ilocos Norte

DETAILED ESTIMATES

ITEM NUMBER	II	Ceiling Works	DESCRIPTION	QUANTITY	UNIT	UNIT PRICE	sq.m.	Total Price
MATERIALS COST					pcs			-
			4.5mm Fiber Cement Board		pcs			-
			0.6mm x 19mm x 50mm Furring Channel		pcs			-
			0.8mm x 12mm x 38mm Carrying Channel		pcs			-
			Suspension Rod Hanger		pcs			-
			Channel Clip		pcs			-
			50mm x 50mm Wall Angle		pcs			-
			5/32 Blind Rivets		pcs			-
			Metal Screw 1"		pcs			-
			Total Materials Cost			Sub-Total:		-
			Unit Cost:					
EQUIPMENT COST					DAYS	RATE		Total Price
			DESCRIPTION					
						Sub-Total:		-
			Unit Cost:					
LABOR COST					DAYS	RATE		Total Price
			DESCRIPTION					
			Construction Foreman		days			-
			Skilled Laborer		days			-
			Unskilled Laborer		days			-
			Sub-Total:					-
			Unit Cost:					

DIRECT COST: -
DIRECT UNIT COST: -

Plus Indirect Cost:

OCM
 CP
 VAT

INDIRECT COST: -
INDIRECT UNIT COST: -

Total Direct and Indirect Cost: -

Republic of the Philippines
MARIANO MARCOS STATE UNIVERSITY
 City of Batac, 2906, Ilocos Norte

DETAILED ESTIMATES

ITEM NUMBER	DESCRIPTION	QUANTITY	UNIT	UNIT PRICE	sq.m.	Total Price
III Drywall Partition						
MATERIALS COST	4.5mm Fiber Cement Board		pcs			
	1 1/4" Fiber Cement Board Nails		kgs			
	Total Materials Cost				Sub-Total:	
				Unit Cost:		
EQUIPMENT COST	DESCRIPTION	QUANTITY	DAYS	RATE		Total Price
	Sub-Total:				Unit Cost:	
				Sub-Total:		-
				Unit Cost:		
LABOR COST	DESCRIPTION	QUANTITY	DAYS	RATE		Total Price
	Construction Foreman		days			
	Skilled Laborer		days			
	Unskilled Laborer		days			
Sub-Total:				Unit Cost:		-
				Sub-Total:		-
				Unit Cost:		

DIRECT COST: -
DIRECT UNIT COST: -
 Plus Indirect Cost: OCM -
 CP -
 VAT -
INDIRECT COST: -
INDIRECT UNIT COST: -
 Total Direct and Indirect Cost: -

Republic of the Philippines
MARIANO MARCOS STATE UNIVERSITY
 City of Batac, 2906, Ilocos Norte

DETAILED ESTIMATES

ITEM NUMBER	IV	Painting Works	DESCRIPTION	QUANTITY	UNIT	UNIT PRICE	sq.m.	Total Price	
MATERIALS COST			Drywall Partition Painting						
			Concrete Sealer/Primer		gal				
			Patching Compound		gal				
			Semi-Gloss Latex Consumables		gal				
			Ceiling Painting						
			Concrete Sealer/Primer		gal				
			Patching Compound		gal				
			Semi-Gloss Latex Consumables		gal				
			Total Materials Cost				Sub-Total:		
							Unit Cost:		
EQUIPMENT COST			DESCRIPTION	QUANTITY	DAYS	RATE		Total Price	
			Sub-Total:						
						Unit Cost:			
LABOR COST			DESCRIPTION	QUANTITY	DAYS	RATE		Total Price	
			Construction Foreman		days				
			Skilled Laborer		days				
			Unskilled Laborer		days				
			Sub-Total:						
						Unit Cost:			

DIRECT COST: -
UNIT COST: -

Plus Indirect Cost:
 OCM -
 CP -
 VAT -

INDIRECT COST: -
INDIRECT UNIT COST: -

Total Direct and Indirect Cost: -

Republic of the Philippines
MARIANO MARCOS STATE UNIVERSITY
 City of Batac, 2906, Ilocos Norte

DETAILED ESTIMATES

ITEM NUMBER	DESCRIPTION	QUANTITY	UNIT	UNIT PRICE	Total Price
V Counter Works					
COUNTER					
	Tile Works				
	600mm x 600mm Granite Tiles		pcs		
	Tile Adhesive		bags		
	Tile Grout		bags		
Formworks					
	1/4" Ordinary Plywood		pc		
	Assorted Common Wire Nails		kg		
	Form Lumber		bd.ft.		
Reinforced Concrete Works					
	Portland Cement		bags		
	Sand (S-1)		cu.m.		
	Gravel 3/4"		cu.m.		
	12mm dia. RSB		pcs		
Masonry Works					
	4" CHB		pc		
	Portland Cement		bags		
	Sand (S-1)		cu.m.		
	10mm dia. RSB		pcs		
	#16 Tie Wire		kgs		
Plastering Works					
	Portland Cement		bags		
	Sand (S-1)		cu.m.		
Cabinet					
	3/4" Laminated Plywood		pcs		
	1"x2"x8' Good Lumber		pcs		
	2"x3"x8' Good Lumber		pcs		
	Concealed Hinges		pcs		
	Aluminum Cabinet Door Handle		pcs		
	Self Drilling Screws		pcs		
Total Materials Cost					
				Sub-Total:	-
				Unit Cost:	
EQUIPMENT COST					
DESCRIPTION					
				Sub-Total:	-
				Unit Cost:	
LABOR COST					
DESCRIPTION					
				Sub-Total:	-
				Unit Cost:	

DIRECT COST: -
UNIT COST: -
 Plus Indirect Cost: OCM -
 CP -
 VAT -
INDIRECT COST: -
INDIRECT UNIT COST: -
 Total Direct and Indirect Cost: -

Republic of the Philippines
MARIANO MARCOS STATE UNIVERSITY
 City of Batac, 2906, Ilocos Norte

DETAILED ESTIMATES

ITEM NUMBER	VI	Plumbing Works	DESCRIPTION	QUANTITY	UNIT	UNIT PRICE	lot	Total Price	
MATERIALS COST			Plumbing Fixtures and Accessories Stainless Kitchen Sink with Faucet and complete accessories Water Line Pipes and Fittings 1/2" dia PVC Blue Pipe 1/2" dia PVC Blue Elbow 1/2" dia PVC Blue Female Adapter 1/2" dia PVC Union Patente 1/2" x 1/2" Angle Valve 1/2" x 1/2" Flexible Hose Teflon Tape 1" Solvent Cement, 100cc Sewer Line Pipes Stainless P-Trap 1 1/2" (for lavatory) 2" dia PVC Pipe S1000 2" dia PVC Elbow	set pcs pcs pcs pcs pcs rolls can pcs pcs pcs					
			Total Materials Cost			Sub-Total:		-	
						Unit Cost:			
EQUIPMENT COST			DESCRIPTION	QUANTITY	DAYS	RATE		Total Price	
						Sub-Total:		-	
						Unit Cost:			
LABOR COST			DESCRIPTION	QUANTITY	DAYS	RATE		Total Price	
			Plumber		days				
			Pipe Fitter		days				
			Unskilled Laborer		days				
						Sub-Total:		-	
						Unit Cost:			

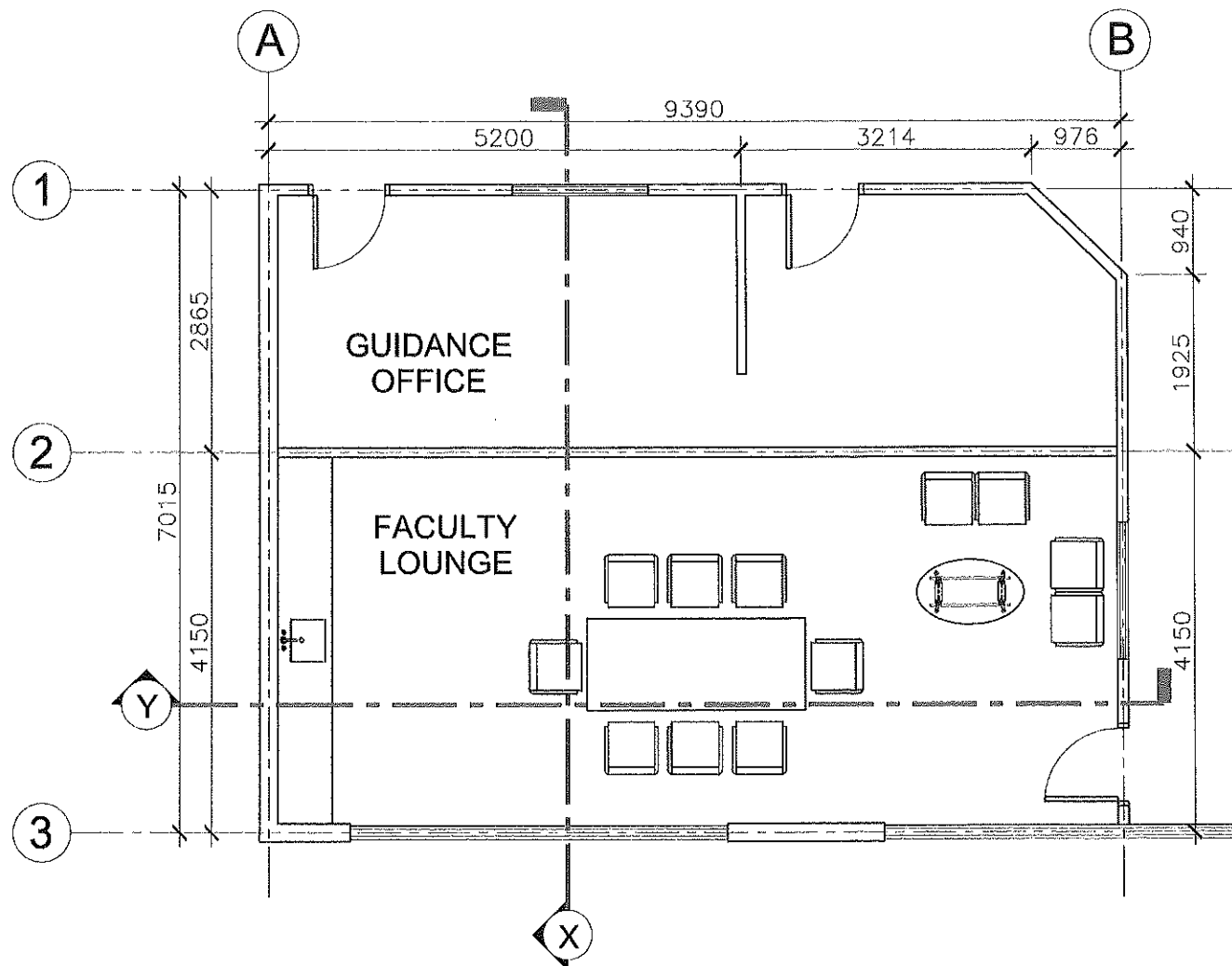
DIRECT COST:
UNIT COST:

Plus Indirect Cost:
 OCM
 CP
 VAT

INDIRECT COST:
INDIRECT UNIT COST:


Total Direct and Indirect Cost:

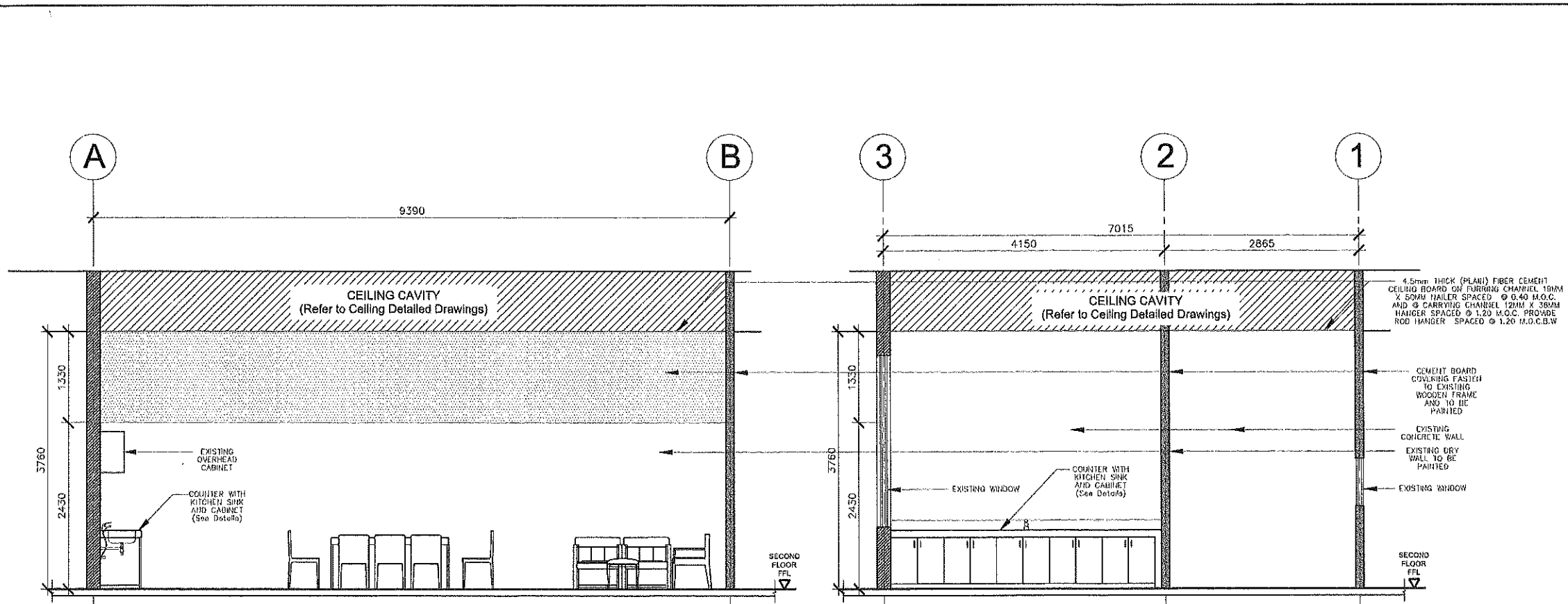
-
-
-
-
-




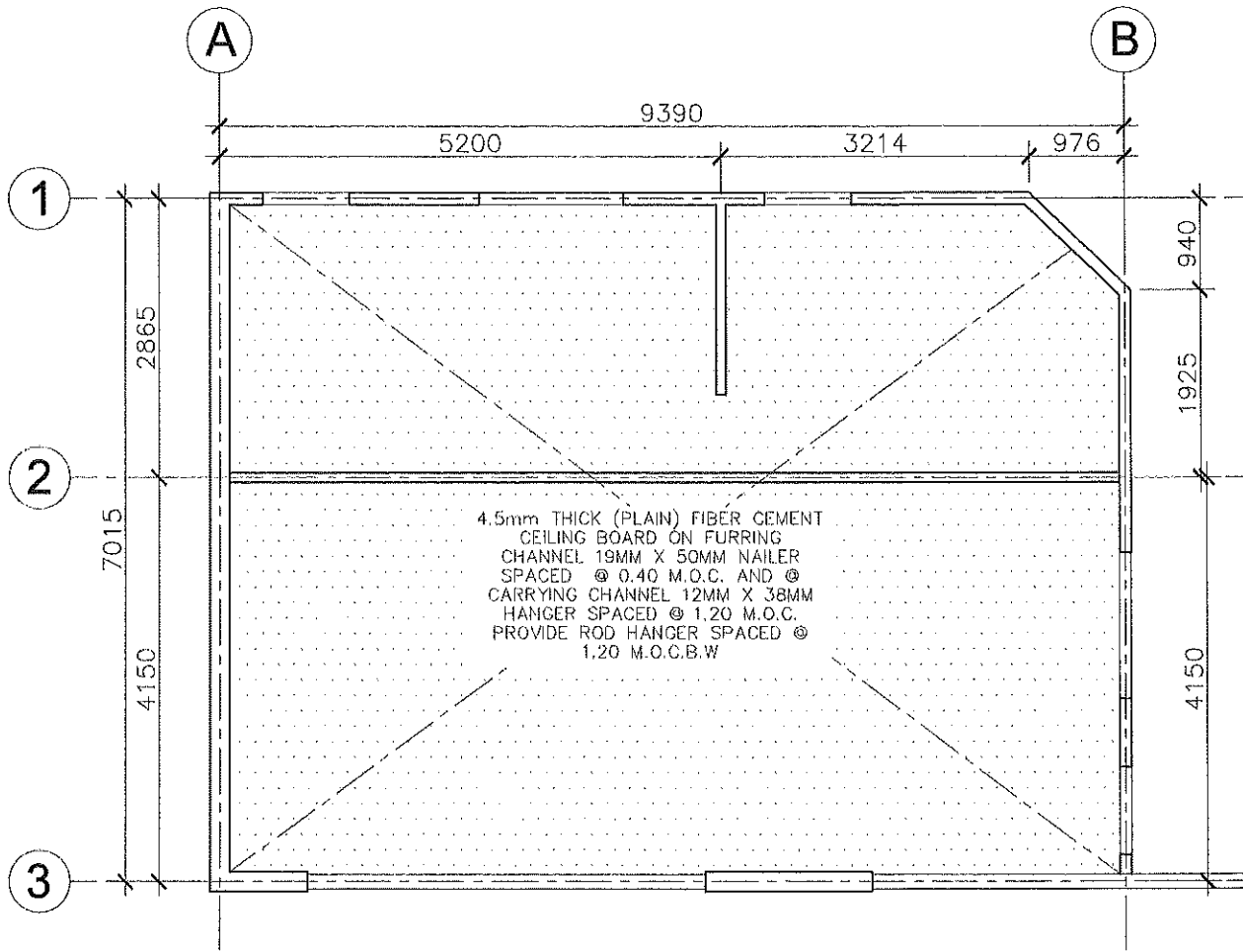
FLOOR PLAN

SCALE 1:75 MTS

	<p>FROM THE OFFICE:</p> <p>PHYSICAL PLANNING AND DEVELOPMENT OFFICE ROOM 202 FEM HALL, MARIANO MARCOS STATE UNIVERSITY City of Batang, 2905 Ilocos Norte Telefax: +63 (77) 792-3191</p>	<p>DRAWN BY:</p> <p><i>Dave Clark E. Pascua</i> DAVE CLARK E. PASCUA DRAFTSMAN II</p> <p>CHECKED AND REVIEWED BY:</p> <p><i>Aida V. Cabang</i> AIDA V. CABANG CHIEF, PHYSICAL PLANNING</p>	<p>PROJECT TITLE:</p> <p>REFURBISHMENT OF FACULTY LOUNGE AND GUIDANCE COUNSELOR OFFICE</p> <p>LOCATION: MMSU CAFSD, CITY OF BATANG, ILOCOS NORTE</p>	<p>CONFORME:</p> <p><i>Sosima R. Demandante</i> SOSIMA R. DEMANDANTE DEAN, CAFSD</p> <p>RECOMMENDING APPROVAL:</p> <p><i>Romulo Bulbulao</i> ROMULO BULBULAO DIRECTOR, PDDO</p>	<p>APPROVED BY:</p> <p><i>Shirley C. Narupis</i> SHIRLEY C. NARUPIS UNIVERSITY PRESIDENT</p>	<p>SHEET CONTENTS:</p> <p>AS SHOWN</p> <p>REVISION AND DATE:</p>	<p>SHEET NO:</p> <p>A-1 1 4</p>
---	---	--	---	---	---	--	---------------------------------------

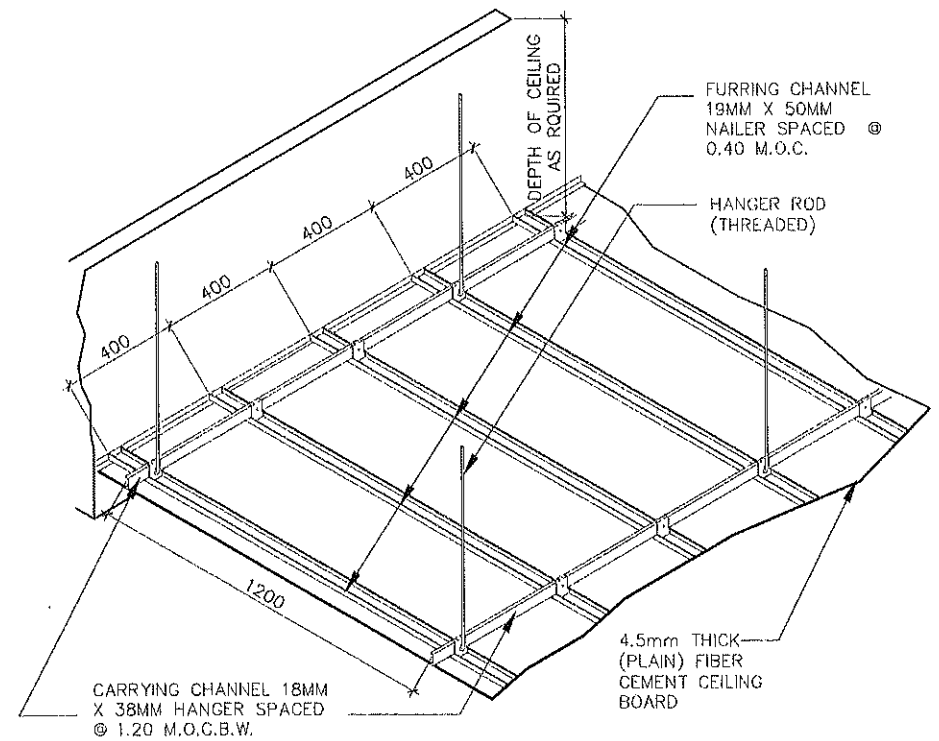


	FROM THE OFFICE: PHYSICAL PLANNING AND DEVELOPMENT OFFICE ROOM 202 PEM HALL, MARIANO MARCOS STATE UNIVERSITY City of Batang, 2908 Ilocos Norte Telefax: +63 (77) 792-3161	DRAWN BY: <i>Clark E. Pascua</i> CLARK E. PASCUA DRAFTSMAN II CHECKED AND REVIEWED BY: <i>Aida V. Cabang</i> AIDA V. CABANG CHIEF, PHYSICAL PLANNING	PROJECT TITLE: REFURBISHMENT OF FACULTY LOUNGE AND GUIDANCE COUNSELOR OFFICE LOCATION: MMSU CAFSD, CITY OF BATANG, ILOCOS NORTE	CONFORME: <i>Sosima R. Demandante</i> SOSIMA R. DEMANDANTE DEAN, CAFSD RECOMMENDING APPROVAL: <i>Romeo S. Villaluz</i> ROMEO S. VILLALUZ CHIEF, CAFSD	APPROVED BY: <i>Shirley C. Agupis</i> SHIRLEY C. AGUPIS UNIVERSITY PRESIDENT	SHEET CONTENTS: AS SHOWN REVISION AND DATE:	SHEET NO.: A-2 2 / 4
	FROM THE OFFICE: PHYSICAL PLANNING AND DEVELOPMENT OFFICE, ROOM 202 PEM HALL, MARIANO MARCOS STATE UNIVERSITY, City of Batang, 2908 Ilocos Norte, Telefax: +63 (77) 792-3161						



CEILING LAYOUT PLAN

SCALE 1:75 MTS




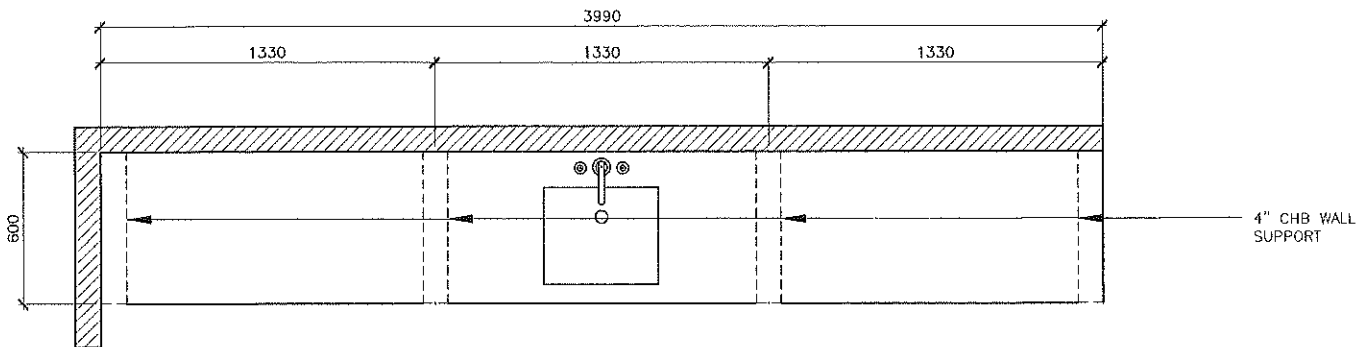
NOTE:

TO ADD / STRENGTHEN SUPPORT ON CEILING AREAS WITH HEAVY LIGHT FIXTURES AND OTHER CEILING AREAS REQUIRED STRENGTHENING.

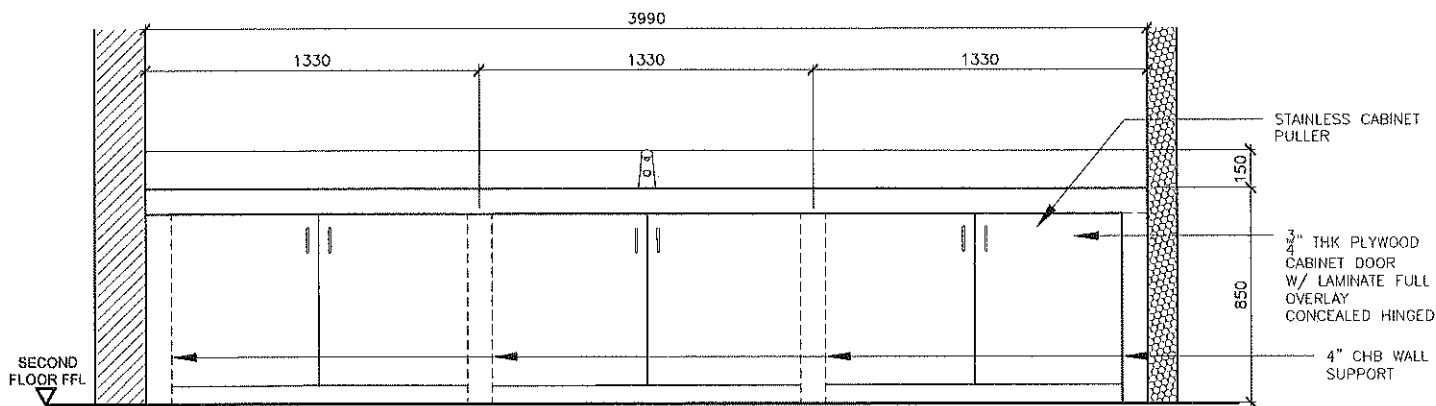
CEILING DETAIL

SCALE 1:25 MTS

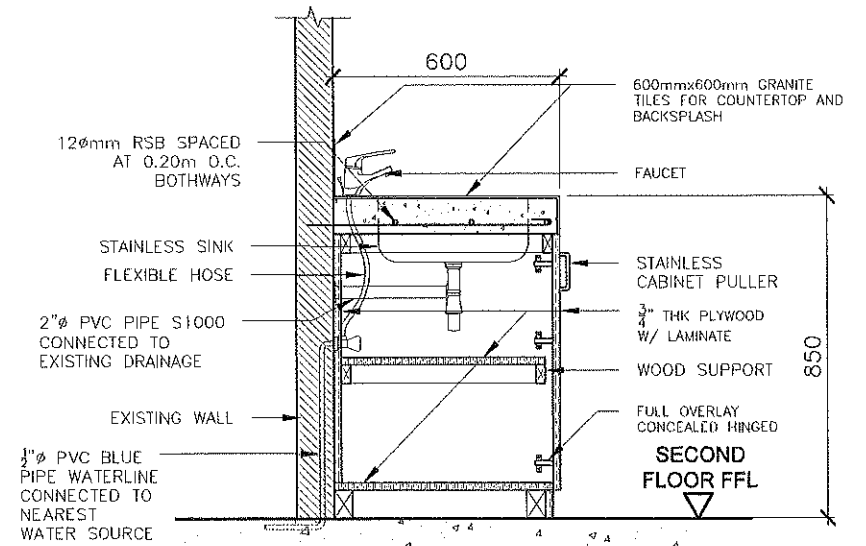
	FROM THE OFFICE: PHYSICAL PLANNING AND DEVELOPMENT OFFICE ROOM 202 FEM HALL, MARIANO MARCOS STATE UNIVERSITY City of Batang, 2906 Ilocos Norte Telefax: +63 (77) 702-3191	DRAWN BY: DAVE CLARK E. PASCUA DRAFTSMAN II CHECKED AND REVIEWED BY: AIDA V. CABANG CHIEF, PHYSICAL PLANNING	PROJECT TITLE: REFURBISHMENT OF FACULTY LOUNGE AND GUIDANCE COUNSELOR OFFICE LOCATION: MMSU CAFSD, CITY OF BATANG, ILOCOS NORTE	CONFORME: SOSIMA R. DEMANDANTE DEAN, CAFSD RECOMMENDING APPROVAL: BONGSOPT BULDULAO DIRECTOR, PPOD	APPROVED BY: SHIRLEY C. MORUPIS UNIVERSITY PRESIDENT	SHEET CONTENTS: AS SHOWN REVISION AND DATE:	SHEET NO.: A-3 3 4



PLAN



ELEVATION



SECTION DETAIL

SCALE 1:20 MTS

SINK COUNTER WITH CABINET DETAIL

SCALE 1:30 MTS



FROM THE OFFICE:
PHYSICAL PLANNING AND DEVELOPMENT OFFICE
 ROOM 202 FEM HALL, MARIANO MARCOS STATE UNIVERSITY
 City of Batac, Ilocos Norte
 Telefax: +63 (77) 792-3191

DRAWN BY:
DAVE CLARK E. PASCUA
 DRAFTSMAN II
 CHECKED AND REVIEWED BY:
AIDA V. CABANG
 CHIEF, PHYSICAL PLANNING

PROJECT TITLE:
REFURBISHMENT OF FACULTY LOUNGE AND GUIDANCE COUNSELOR OFFICE
 LOCATION: MYSU CAFSD, CITY OF BATAC, ILOCOS NORTE

CONFORME:
SOSIMA R. DEMANDANTE
 DEAN, CAFSD
 RECOMMENDING APPROVAL:
ROMEO R. DULAYALAO
 DEAN, CAFSD

APPROVED BY:
SHIRLEY C. AGRUPIS
 UNIVERSITY PRESIDENT

SHEET CONTENTS:
 AS SHOWN
 REVISION AND DATE:

SHEET NO:
 A-4
 4 | 4